

# MVOICE 1000-B USB/Bluetooth Conference Speakerphone



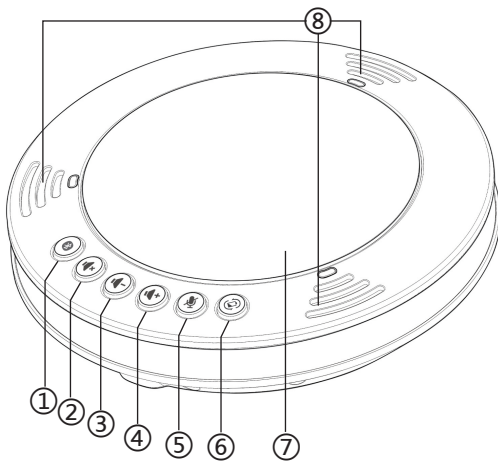
## Welcome!

MVOICE series speakerphone is specially designed to fulfill the customers' increasing demand for web-conferencing calls, hands-free calls and teleconferencing.

MVOICE 1000-B USB/Bluetooth speakerphone can connect to computer with USB cable for audio and video conference based on internet application, or connect to mobile phone or tablet via Bluetooth to realize wireless hands-free teleconference.

## Highlights and features

- Connect to PC via USB.
- Connect to mobile device via Bluetooth
- Three built-in 360° coverage microphones.
- Hi-Fi sound quality.
- DSP noise and echo cancellation.
- Low power consumption..




1. Bluetooth
2. Mute speaker
3. Volume down
4. Volume up
5. Mute microphone
6. Battery level / Choose microphone
7. Speaker
8. Microphones

## Connecting to PC or laptop

Plug and play, simply connect the MVOICE 1000-B to the USB port on your PC with USB cable. Support Windows XP, Windows Vista, Windows7/8/10 etc.

**Attention:** MVOICE 1000-B works excellently in web-conferencing via Skype or other VoIP software. The PC can automatically recognize the MVOICE device, but you may need to choose MEETEASY USB AUDIO in application software. For example, you would need to choose MEETEASY USB AUDIO in Skype audio setting section.



## Connect to mobile device

Press and hold (2secs) the Bluetooth button  until the light flashes blue. Enable Bluetooth on your mobile device, and select "Meeteasy" from the list of available Bluetooth devices. The light turns solid blue when the connection is established.

## Turn off the Bluetooth function

Press and hold (2secs) the Bluetooth button  and then the Bluetooth function will be closed.

## Answer /Reject a call via Bluetooth

Short press  to answer the incoming call, long press  to reject the incoming call. When in a connected call or dialing, short press this button could hang up the call.

**Attention:** Press  too long (over 2 secs.) would turn off the Bluetooth function.

## Mute the speaker

Press the button  can mute the speaker, the button turns orange

## Mute the microphones

Press the button  can mute the microphones all, the button turns orange

## Increase the volume

Press the button  can increase the volume level

## Decrease the volume

Press the button  can decrease the volume level

## ON/OFF button

Turn the button to ON side, the MVOICE 1000-B can be powered by built-in battery.

ON/OFF state will not affect the USB charging and USB connectivity to PC.


**Attention:** Please keep it OFF to save battery power if the unit is not using.

## Separate microphone selection


In normal room conditions, the reception distance can reach to 3 meters. Built-in three microphones provides with 360-degree coverage.

For group meeting, all three microphones open can make proper audio reception of all participants.

In a conference room with weak sound absorption and strong acoustic reflection (particularly the glass rooms), and the talker is far from the microphones, the microphones will receive the echo from different directions, which is impossible to eliminate completely. The other side of the conference may hear unclear voice. Speak close to the microphone and use only one microphone pointed to the speaker can receive the voice more clearly.

Press  button could turn on one microphone and mute two others in turn. The operating microphone' s indicator turns orange.

## Charging the speakerphone

The speakerphone is equipped with a 700mAh battery, which would last for over 4 hours of talk time. When the battery indicator  turns orange and flashes, less than 10 minutes talk time remain. Plug the MVOICE 1000-B with USB cable to USB port on PC or charging adapter to charge the battery.

## Specification:

System requirements	Windows XP/Windows Vista/Windows7/8/10 etc.
Connections	USB version 2.0
Max volume	83dB
Speaker frequency	30-16KHz
Microphone frequency	30-16KHz
Power voltage	5V DC
Power consumption	300mAh max.
Battery capacity	700mAh
Operating temperature	5°C-40°C
Storage temperature	-30°C-55°C
Accessories	6ft USB cable/User Guide/Protective bag/Gift box
Compliance	RoHS/FCC/CE

### Meeteasy Technology Limited

Add:6F Jianda Building,Keyuan Road,Science and Technology Park,Nanshan District,Shenzhen,518053,China

E-mail: info@meeteasy.com.hk

Tel:(+86) 755 8884 1683 Fax:(+86) 755 2690 5650

For more information, please visit

[www.meeteasy.com.hk](http://www.meeteasy.com.hk)